

New

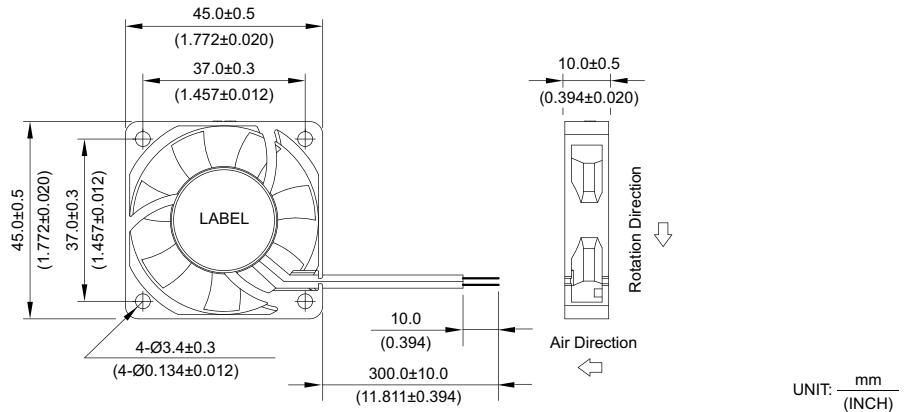


- * Bearing Type
Sleeve Bearing
- * Material
Impeller & Frame : Plastic (UL 94V-0)
- * Lead Wires :
UL 1007 AWG #28 OR Equivalent
Red Wire Positive (+)
Black Wire Negative(-)
- * Weight : 15.7g (0.55 oz)
- * Rib Type Only

热设计网 <http://www.resheji.com>

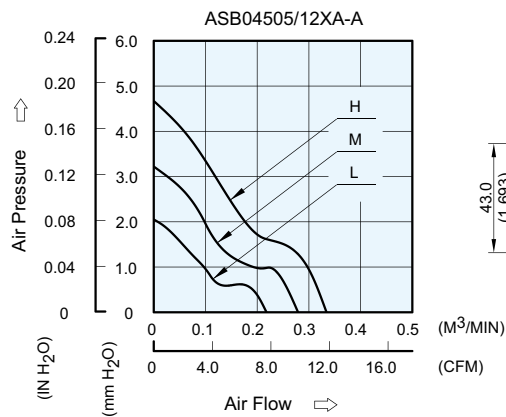
ASB 45 x 45 x 10 MM SERIES

■ DIMENSIONS DRAWING

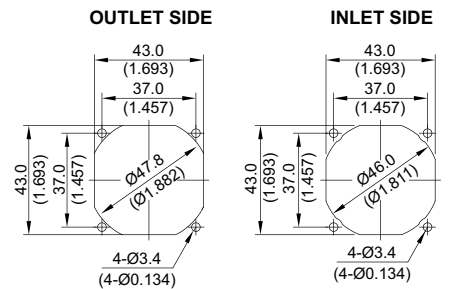


UNIT: $\frac{\text{mm}}{\text{INCH}}$

■ P & Q CURVE (AT RATED VOLTAGE)



■ MOUNTING PANEL CUTOUT



UNIT: $\frac{\text{mm}}{\text{INCH}}$

MODEL			Rated Voltage	Operating Voltage Range	Rated Current	Rated Input Power	Speed	Maximum Air Flow		Maximum Air Pressure		Noise
PART NO.	REV.	FUNCTION	VDC	VDC	Amp	Watt	R.P.M.	m ³ /min	CFM	mmH ₂ O	IN H ₂ O	dB-A
ASB04505LA	-A	-R00 / -F00	5	4.0 to 5.5	0.11	0.55	4000	0.218	7.70	2.05	0.081	24.5
ASB04512LA	-A	-R00 / -F00	12	9.0 to 13.8	0.06	0.72						
ASB04505MA	-A	-R00 / -F00	5	4.0 to 5.5	0.17	0.85	5000	0.279	9.85	3.22	0.127	30.0
ASB04512MA	-A	-R00 / -F00	12	7.0 to 13.8	0.09	1.08						
ASB04505HA	-A	-R00 / -F00	5	4.0 to 5.5	0.27	1.35	6000	0.334	11.80	4.67	0.184	34.5
ASB04512HA	-A	-R00 / -F00	12	7.0 to 13.8	0.12	1.44						

- * Function type is optional.
- * The max. air flow and the speed are measured in free air ; max. air pressure is measured at zero air flow.
- * Noise is measured in anechoic chamber in free air, one meter from intake side.
- * All readings are typical values at rated voltage.
- * Specifications are subject to change without notice.