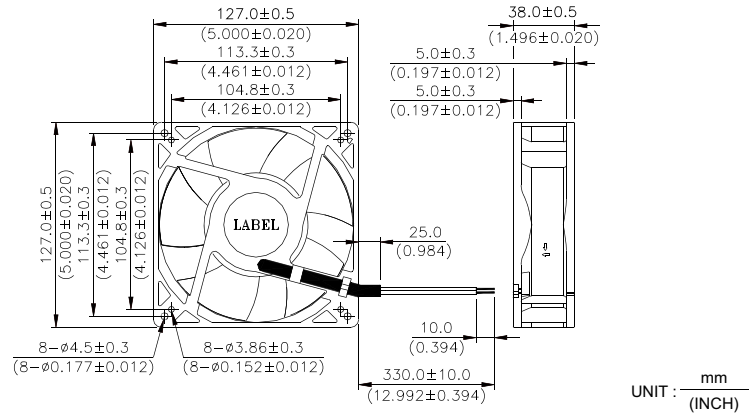


AHB 127 x 127 x 38 MM SERIES

DIMENSIONS DRAWING

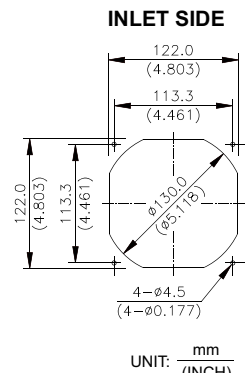
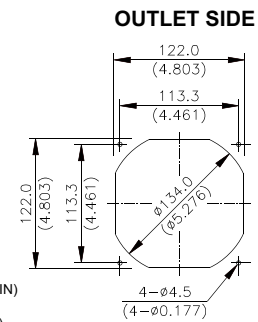
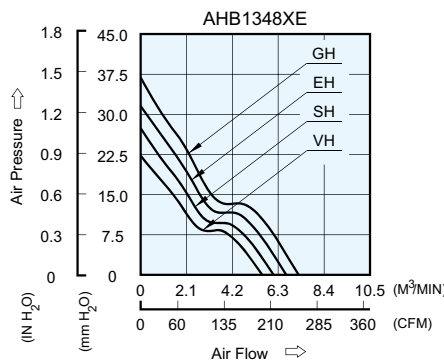


- * Bearing Type
Ball Bearings
- * Material
Impeller : Plastic (UL 94V-0)
Frame : Die-Cast Aluminum
- * Lead Wires :
UL 1007 AWG #24 OR Equivalent
Red Wire Positive(+)
Black Wire Negative(-)
- * Weight : 490g (17.28 oz)

热设计网 <http://www.resheji.com>

P & Q CURVE (AT RATED VOLTAGE)

MOUNTING PANEL CUTOUT



| MODEL | | Rated Voltage | Operating Voltage Range | Input Current | Input Power | Speed | Maximum Air Flow | | Maximum Air Pressure | | Noise |
|------------|-------------|---------------|-------------------------|---------------|-------------|--------|---------------------|--------|----------------------|---------------------|-------|
| PART NO. | FUNCTION | VDC | VDC | Amp | Watt | R.P.M. | m ³ /min | CFM | mmH ₂ O | IN H ₂ O | dB-A |
| AHB1348VHE | -R00 / -F00 | 48 | 32.0 to 80.0 | 0.41 | 19.68 | 4300 | 5.573 | 196.82 | 22.39 | 0.881 | 60.5 |
| AHB1348SHE | -R00 / -F00 | 48 | 32.0 to 80.0 | 0.49 | 23.52 | 4700 | 6.091 | 215.12 | 26.79 | 1.055 | 63.0 |
| AHB1348EHE | -R00 / -F00 | 48 | 32.0 to 80.0 | 0.61 | 29.28 | 5100 | 6.660 | 235.20 | 31.41 | 1.237 | 65.0 |
| AHB1348GHE | -R00 / -F00 | 48 | 32.0 to 80.0 | 0.75 | 36.00 | 5500 | 7.243 | 255.77 | 36.77 | 1.448 | 67.0 |

- * Function type is optional.
- * The max. air flow and the speed are measured in free air ; max. air pressure is measured at zero air flow.
- * Noise is measured in anechoic chamber in free air, one meter from intake side.
- * All readings are typical values at rated voltage.
- * Specifications are subject to change without notice.