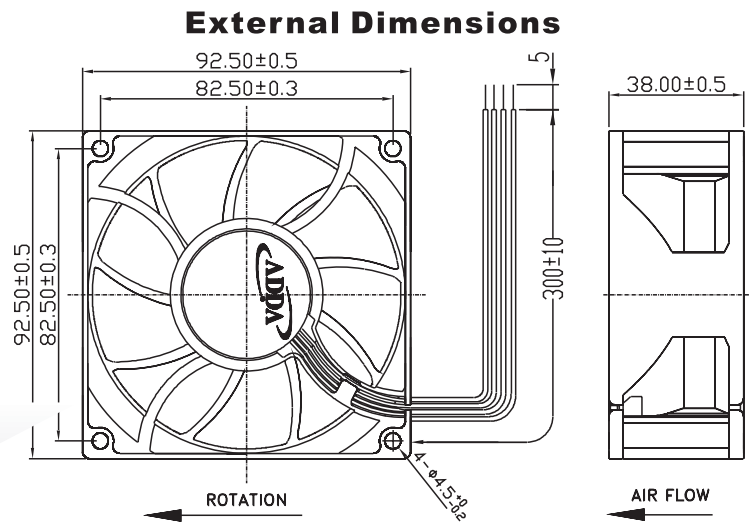




AD9238GP SERIES



Frame:Plastic(UL:94V-0)
Impeller:Plastic(UL:94V-0)
Lead wire:UL1007AWG24

Specifications(Nominal)

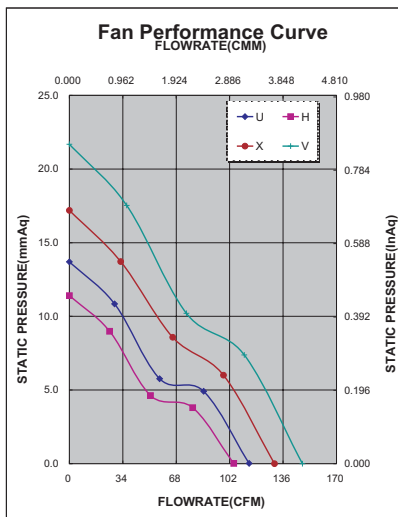
*Noise is measured at the distance of one (1) meter from the axis of intake.

Bearing type: ◎=Ball ※=Sleeve ○=1B1S ●=Hypro bearing

Frame size (mm)	Model No.	Bearing System Type	Rated Voltage (VDC)	Current (A)	Power (W)	Rated Speed (rpm)	Maximum AirFlow (CMM)	Maximum AirFlow (CFM)	Maximum Pressure (InAq)	Maximum Pressure (mmAq)	*Noise Level (dB/A)	Weight (g)
92x92x38	AD0912HB-F9BGP	◎	12	0.71	8.52	4400	2.972	105.00	0.450	11.43	53.0	190.0
	AD0912UB-F9BGP	◎	12	0.91	10.92	4800	3.255	115.00	0.530	13.46	56.5	
	AD0912XB-F9BGP	◎	12	1.33	15.96	5400	3.679	130.00	0.670	17.02	59.5	
	AD0912VB-F9BGP	◎	12	2.20	26.40	6000	4.188	148.00	0.850	21.59	63.0	
	AD0924HB-F9BGP	◎	24	0.33	7.92	4400	2.972	105.00	0.450	11.43	53.0	
	AD0924UB-F9BGP	◎	24	0.47	11.28	4800	3.255	115.00	0.530	13.46	56.5	
	AD0924XB-F9BGP	◎	24	0.65	15.60	5400	3.679	130.00	0.670	17.02	59.5	
	AD0948HB-F9BGP	◎	48	0.18	8.64	4400	2.972	105.00	0.450	11.43	53.0	
	AD0948UB-F9BGP	◎	48	0.25	12.00	4800	3.255	115.00	0.530	13.46	56.5	
	AD0948XB-F9BGP	◎	48	0.35	16.80	5400	3.679	130.00	0.670	17.02	59.5	

Specifications subject to change without notice.

热设计网 <http://www.resheji.com>



*Motor protective circuit and third lead wire functions

0	1	2	3	4	6	7	8	9	A	B
	✓	✓	✓					✓		✓

*Safety approvals

✓	✓		✓	✓