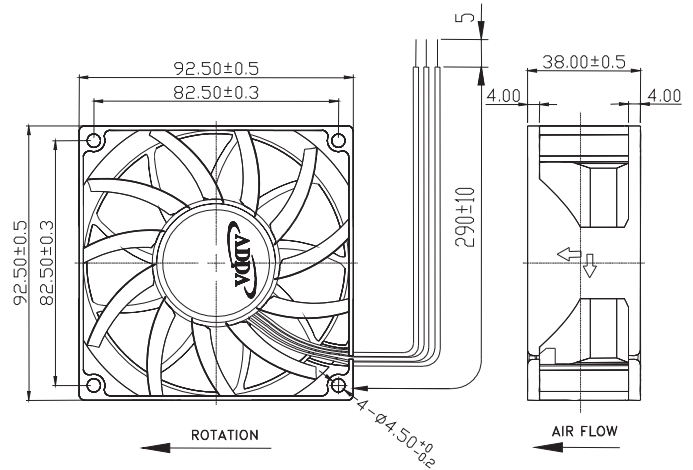


AD9238DS SERIES



External Dimensions



Frame: Plastic (UL:94V-0)
 Impeller: Plastic (UL:94V-0)
 Lead wire: UL1007AWG24

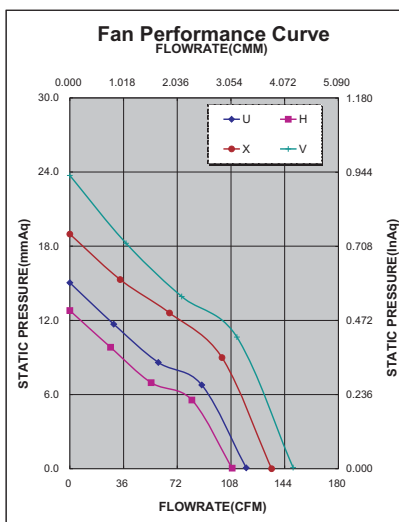
Specifications (Nominal)

*Noise is measured at the distance of one (1) meter from the axis of intake.

Bearing type: ⊙=Ball ⚙=Sleeve ○=1B1S ●=Hypro bearing

Frame size (mm)	Model No.	Bearing System Type	Rated Voltage (VDC)	Current (A)	Power (W)	Rated Speed (rpm)	Maximum AirFlow (CMM)	Maximum AirFlow (CFM)	Maximum Pressure (InAq)	Maximum Pressure (mmAq)	*Noise Level (dB/A)	Weight (g)
92x92x38	AD0912HB-F93DS	⊙	12	0.71	8.52	4400	3.056	108.00	0.500	12.70	52.5	190
	AD0912UB-F93DS	⊙	12	0.91	10.92	4800	3.339	118.00	0.590	14.99	55.0	
	AD0912XB-F93DS	⊙	12	1.33	15.96	5400	3.821	135.00	0.740	18.80	58.5	
	AD0912VB-F93DS	⊙	12	2.20	26.40	6000	4.217	149.00	0.930	23.62	62.0	
	AD0924HB-F93DS	⊙	24	0.33	7.92	4400	3.056	108.00	0.500	12.70	52.5	
	AD0924UB-F93DS	⊙	24	0.47	11.28	4800	3.339	118.00	0.590	14.99	55.0	
	AD0924XB-F93DS	⊙	24	0.65	15.60	5400	3.821	135.00	0.740	18.80	58.5	
	AD0948HB-F93DS	⊙	48	0.18	8.64	4400	3.056	108.00	0.500	12.70	52.5	
	AD0948UB-F93DS	⊙	48	0.25	12.00	4800	3.339	118.00	0.590	14.99	55.0	
AD0948XB-F93DS	⊙	48	0.35	16.80	5400	3.821	135.00	0.740	18.80	58.5		

Specifications subject to change without notice.



*Motor protective circuit and third lead wire functions

0	1	2	3	4	6	7	8	9	A	B
	✓	✓	✓					✓		✓

*Safety approvals

✓	✓		✓	✓